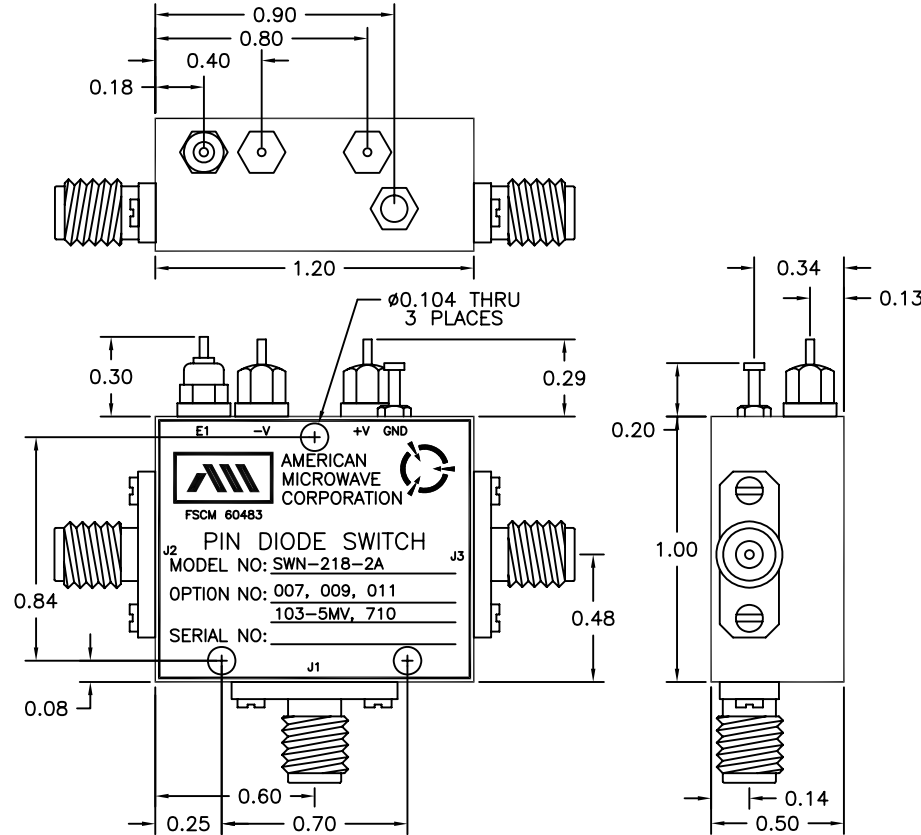


DESCRIPTION

AMC MODEL SWN-218-2A OPTION 007, 009, 011, 710, 103-5MV IS A SPDT ABSORPTIVE (NON-REFLECTIVE) PIN DIODE SWITCH DESIGNED FOR THE 7 TO 10 GHz FREQUENCY RANGE WITH 3.5 DB INSERTION LOSS AND WITH VIDEO TRANSIENTS OF 5 MV PEAK TO PEAK.

MECHANICAL OUTLINE



REVISIONS				
ZONE	REV.	DESCRIPTION	DATE	APPROVED
	-	ORIGINAL RELEASE JOB# 605096	12/19/06	

AMERICAN MICROWAVE CORPORATION

7311-G GROVE ROAD
 FREDERICK, MARYLAND 21704 USA
 TEL: 301-662-4700 FAX: 301-662-4938
 WEBSITE: www.americanmicrowavecorp.com
 E-MAIL: sales@americanmicrowavecorp.com
 ISO 9001:2000 CERTIFIED



ALL DIMENSIONS ARE IN INCHES
 TOLERANCES:
 X.XX ±0.020
 X.XXX ±0.010

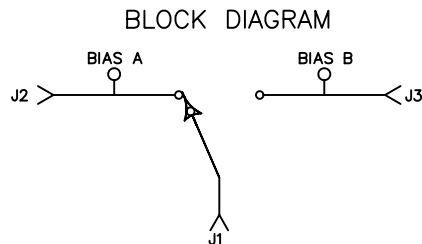
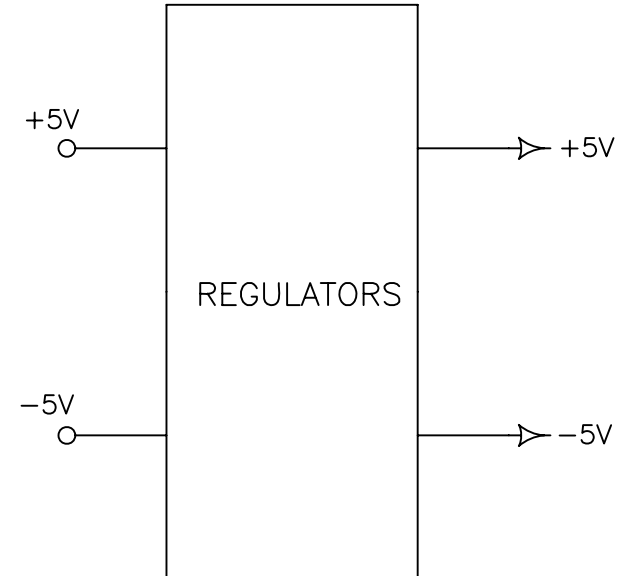
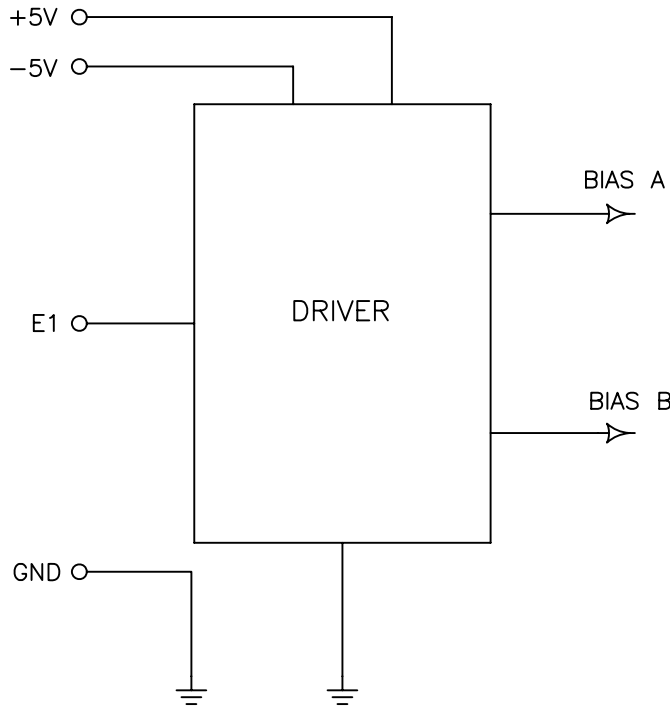
APPROVALS		DATE	TITLE		
DRAWN <i>WJL</i>		12/19/06	MECHANICAL OUTLINE SWN-218-2A		
REDRAWN <i>RA</i>		12/19/06	OPTIONS: 007, 009, 011, 710, 103-5MV 7 TO 10 GHz SINGLE POLE TWO THROW SWITCH		
ISSUED			SIZE A	FSCM NO. 60483	DWG NO. 100-7734-000
			SCALE N:S	SHEET 2 OF 4	

DESCRIPTION

AMC MODEL SWN-218-2A OPTION 007, 009, 011, 710, 103-5MV IS A SPDT ABSORPTIVE (NON-REFLECTIVE) PIN DIODE SWITCH DESIGNED FOR THE 7 TO 10 GHz FREQUENCY RANGE WITH 3.5 DB INSERTION LOSS AND WITH VIDEO TRANSIENTS OF 5 MV PEAK TO PEAK.

REVISIONS				
ZONE	REV.	DESCRIPTION	DATE	APPROVED
	-	ORIGINAL RELEASE JOB# 605096	12/19/06	

FUNCTIONAL BLOCK DIAGRAM



CONFIDENTIAL AND PROPRIETARY

AMERICAN MICROWAVE CORPORATION

7311-G GROVE ROAD
 FREDERICK, MARYLAND 21704 USA
 TEL: 301-662-4700 FAX: 301-662-4938
 WEBSITE: www.americanmicrowavecorp.com
 E-MAIL: sales@americanmicrowavecorp.com
 ISO 9001:2000 CERTIFIED



APPROVALS		DATE	TITLE			
DRAWN <i>WFLS</i>		12/19/06	FUNCTIONAL BLOCK DIAGRAM SWN-218-2A			
REDRAWN <i>RA</i>		12/19/06	OPTIONS: 007, 009, 011, 710, 103-5MV 7 TO 10 GHz SINGLE POLE TWO THROW SWITCH			
ISSUED			SIZE A	FSCM NO. 60483	DWG NO. 100-7734-000	REV. -
			SCALE N:S	SHEET 3 OF 4		